

C-Line

Lifting Equipment



4500



3500



Electro-hydraulic two post lifts with base connection for low ceiling height.

Realignment of the two carriages using metal cables that guarantee excellent **synchronisation**.

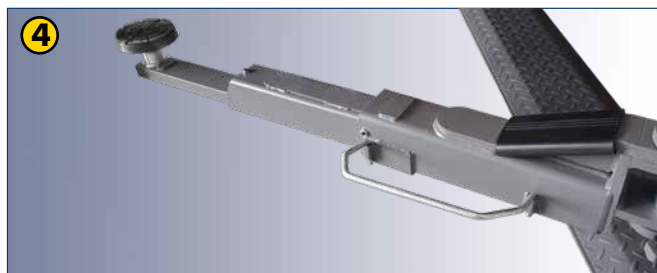
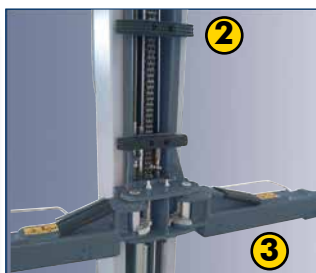
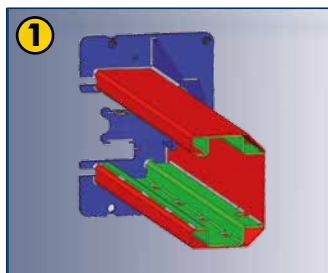
Three-stages asymmetrical lifting arms.



Electro-hydraulic two-post lifts

P2C 245C B

P2C 235C B



Technical data

Model	P2C 245C B	P2C 235C B
<input type="checkbox"/> Lift capacity	4500 kg	3500 kg
<input type="checkbox"/> Lifting time	40 s	
<input type="checkbox"/> Three phase motor	400/230V - 3kW - 3ph - 50 /60 Hz	
<input type="checkbox"/> Single phase motor	230V - 3kW - 1ph - 50 /60 Hz	
<input type="checkbox"/> Max. lifting height	2003 mm	
<input type="checkbox"/> Lift minimum height	100 mm	



1. Internally reinforced column structure for little bending.
2. Rubber door protections.
3. Toothed sector arm rotation stop system.
4. Four three-section asymmetrical arms. Last section of arms very thin (30mm), for easy access to flat vehicles.
5. Double threaded lifting pad to ensure excellent vertical adjustment (95 ÷ 180 mm).

Supplied accessories

All models supplied with:

- Mechanical carriage support device on each column ensures optimum working safety.
- Two set of extension pads.

A. 8-43300021

Set of 4 extension for pads, H=35 mm

B. 8-43300014

Set of 4 extension for pads, H=80 mm

C. 8-43300015

Set of 4 extension for pads, H=140 mm

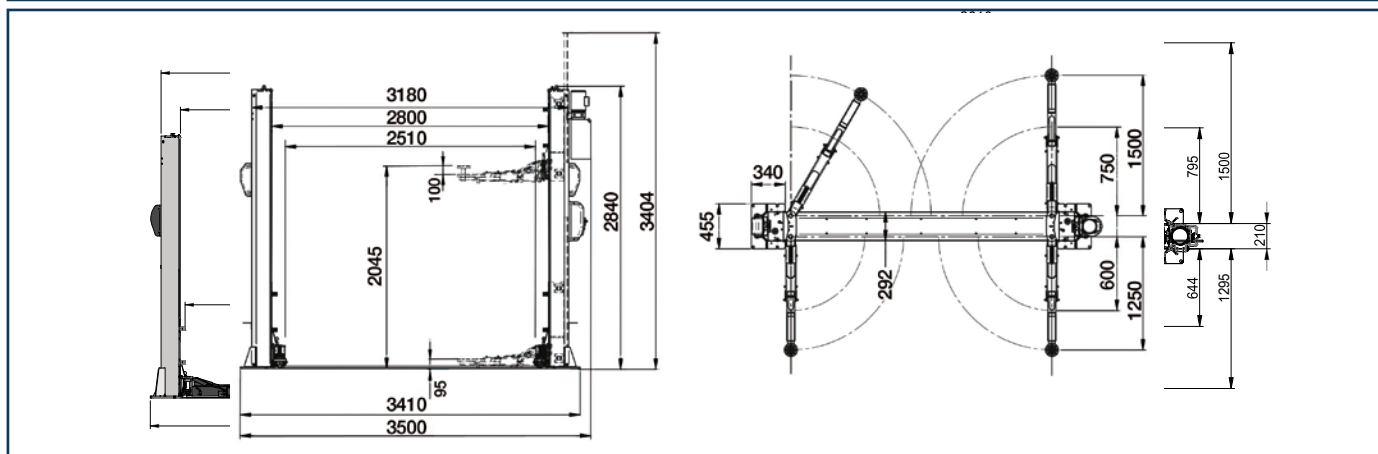
D. 8-43300016

Set of 4 adapters for Mercedes Sprinter

Optional accessories



Dimensions



The illustrations, configurations and technical features in this publication are intended to present the product only, and are subject to variation. To ensure correct ordering, always refer to the current price list.

